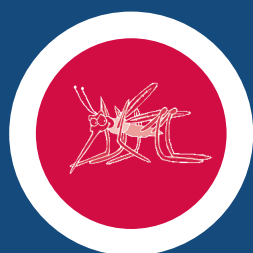
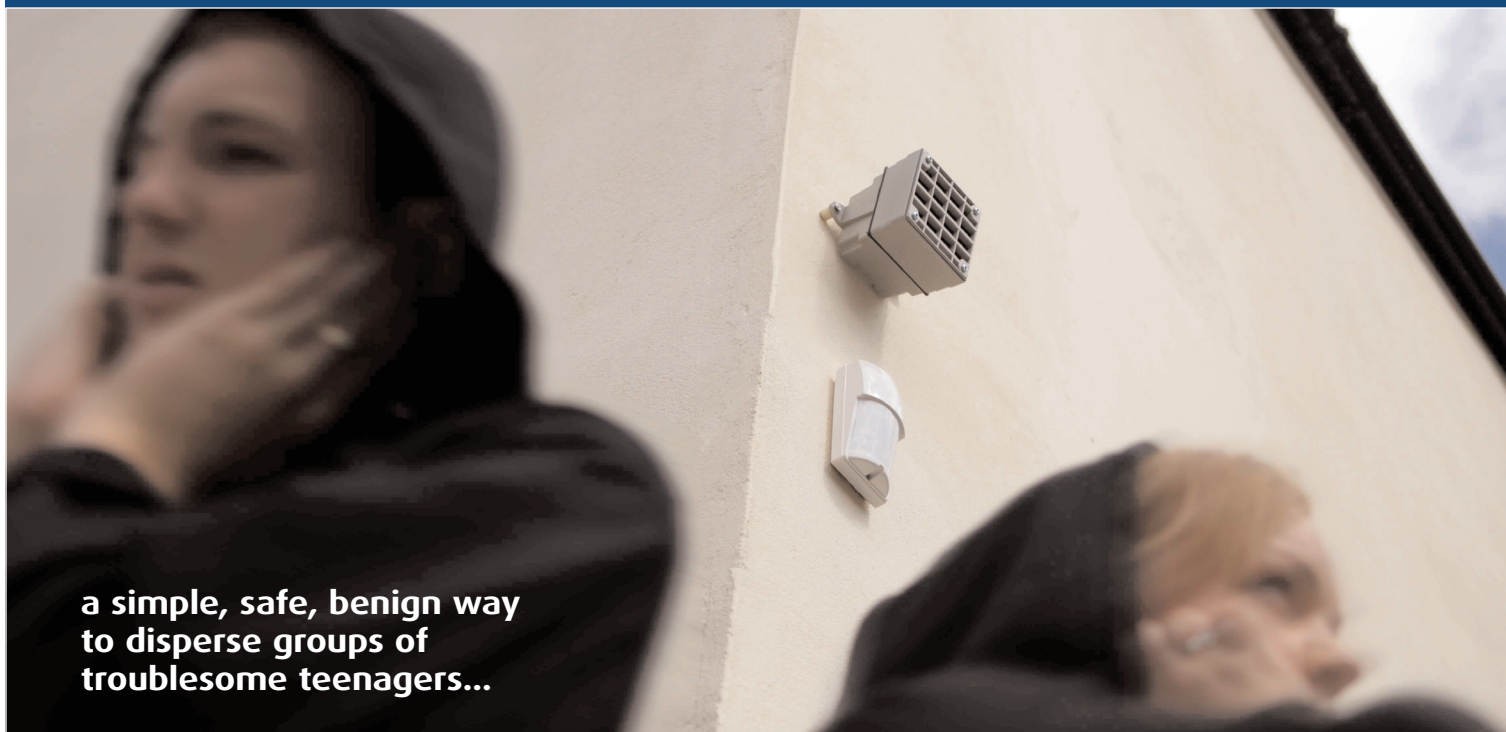


**ultra-sonic teenage
deterrent system**



mosquito



**a simple, safe, benign way
to disperse groups of
troublesome teenagers...**

CSS manufactures and distributes the revolutionary Mosquito device that was launched onto the UK market in December 2005.

Numerous field tests have been carried out by police and local authorities into the effectiveness of the device, and it has been hailed as the most effective tool in the fight against teenage anti-social behaviour by those who have tested and bought the device. In several cases - where actual figures were collected - police call outs to trouble spots were reduced by 80-100%.

what it is

- An electronic security device designed to annoy only teenagers and leave adults totally unaffected
- Emits a modulated tone at 17.5KHz and 18.5KHz, a sound at the top end of audiological perception during late teens and early 20s
- Annoying after 5-10 minutes exposure, resulting in teenagers leaving the area
- Undetectable by most people over 25
- Can be activated by timer, remote control, PIR and CCTV
- Automatically shuts off after 20 minutes

what it is not

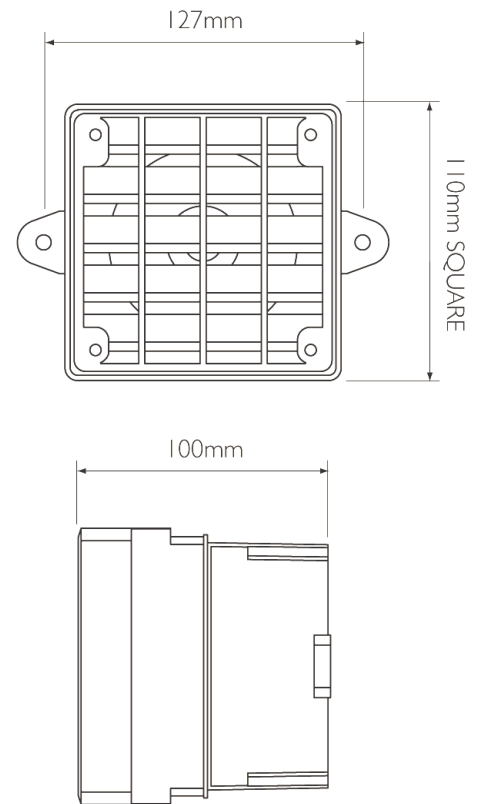
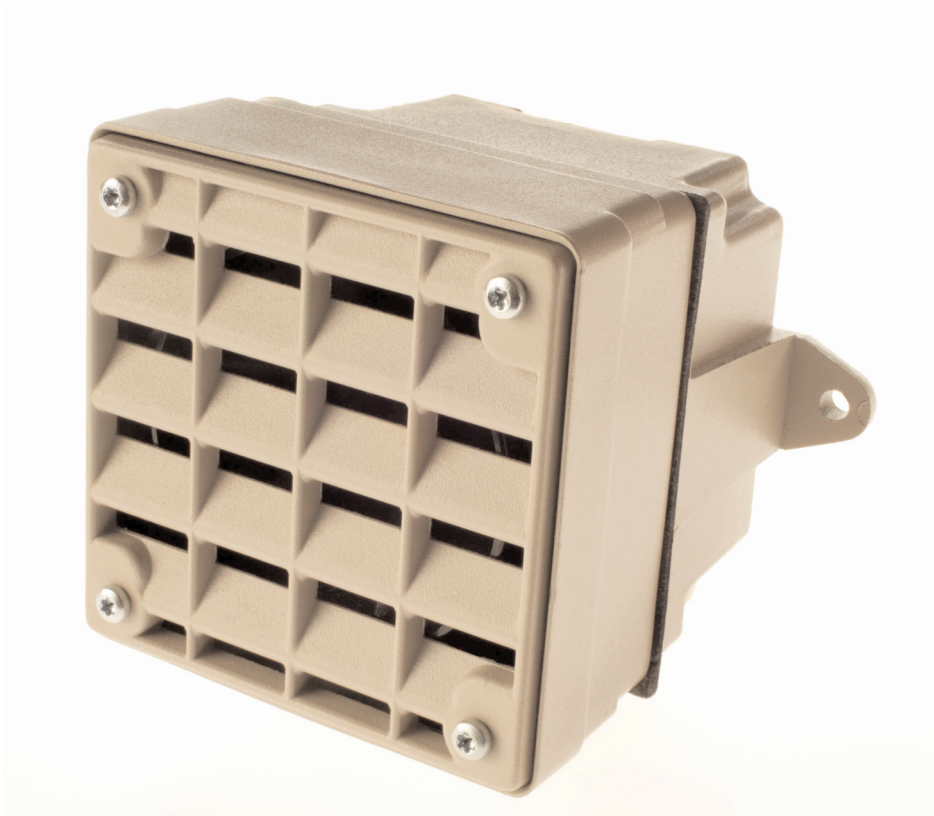
- It is not a weapon
- It is not violent
- It does not hurt

where it can be used

- Outside community convenience stores where kids gather and cause problems
- Industrial estates during evening hours and weekends when businesses are vulnerable to vandalism etc
- Car Parks
- Railway stations
- Railway trouble spots where children play
- School premises during evening hours, weekends and holidays
- Parks during hours of darkness to prevent groups of kids drinking, using drugs and vandalising equipment
- Any other location where kids congregate and cause damage

why use it

- Reduce vandalism
- Reduce theft from and damage to property
- Increase the quality of life of those affected by anti social behaviour



- automatic or manual triggering
- compensation for local noise levels
- robust vandal/weatherproof housing

Voltage	12Vdc
Tones	Single tone above 16KHz
Sound Output	High and low setting with automatic ambient compensation
Compensation	Output is automatically increased to be 5 to 8dB above the ambient, up to the maximum for each setting
Operation	Setting 1 - Tone operates for 20mins then silences and awaits retrigger Setting 2 - Tone operates continuously until switched off
Activation	Mode 1 - Alarm operates at power on Mode 2 - Alarm operates in response to external trigger (PIR etc.) Mode 3 - Alarm operates in response to built-in voxswitch (noise activation)
Protection	Vandal and weather resistant IP65 enclosure suitable for external use
Temperature	-20 to +70C
Material	Diecast zinc alloy and steel
Mounting	Wall mounting, angle bracket available
Colour	Grey